



RANGE

**PLB/PHD**

## PLANERS

PLB 200

PLB 300

PLB 400

PLB 450

PHD 600

PLB 350

PHD 450

- Mill on horizontal, vertical or sloped surfaces
- Constant planing depth
- Independent RH-LH depth adjustment
- Perfect surfaces with side-by-side passes



# PLANNER

- PLB 200
- PLB 300
- PLB 400
- PLB 450
- PHD 600
- PLB 350
- PHD 450



Designed to **mill pre-set** sections on hard and compact surfaces, the PLB and PHD planers for excavators are able to remove the entire layer of asphalt or concrete in preparation for trenching, or are used to mill deteriorated sections for later resurfacing.

They can work on horizontal, vertical or sloped surfaces.

**SIMEX** **PERFORMER**  
• patent •

## ADVANTAGES

- Mill on horizontal, vertical or sloped surfaces
- Constant planing depth
- Independent RH-LH depth adjustment
- Perfect surfaces with side-by-side passes



TECHNICAL DATA		SINGLE DEPTH					DOUBLE DEPTH	
		PLB 200	PLB 300	PLB 400	PLB 450	PHD 600	PLB 350	PHD 450
Recommended excavator weight (1)	ton lbs	2-4 4400 - 8800	3-7 6600 - 15400	6-9 13000 - 20000	8-13 17600 - 29000	16-24 35000 - 53000	6-9 13000 - 20000	10-16 22000 - 35000
Standard drum								
Width	mm inch	200 8	300 12	400 16	450 18	600 24	350 14	450 18
Depth	mm inch	0-70 0-3	0-100 0-4	0-120 0-5	0-150 0-6	0-200 0-8	0-120 0-5	0-180 0-7
Special drums on request								
Width	mm inch	50-250 2-10	50-300 2-12	50-400 2-16	75-450 3-18	75-600 3-24	50-350 2-14	75-450 3-18
Max. depth	mm inch	125 5	130 5	150 6	200 8	250 10	150 6	220 9
Independent RH-LH depth adjustment		-	-	-	-	-	Standard	Standard
Min. distance from curb	mm inch	40 (20*) 1,6 (0,8*)	50 (25*) 2 (1*)	50 (25*) 2 (1*)	60 (30*) 2,4 (1,2*)	75 (40*) 2,6 (1,4*)	50 (27*) 2 (1*)	75 (40*) 3 (1,4*)
Swinging support rotation angle		120°	127°	118°	120°	105°	118°	102°
Operating weight	kg lbs	185 407	390 860	515 1130	710 1560	1150 2530	530 1160	900 1980
Required oil flow	l/min gpm	30-50 8-13	45-75 12-20	55-90 15-24	75-140 20-37	120-200 32-53	55-90 15-24	90-140 24-37
Max. required oil pressure (2)	BAR psi	250 3625	300 4350	300 4350	300 4350	300 4350	300 4350	300 4350

(1) User is responsible for ensuring that the equipment meets the excavator's specifications and weight requirements.  
(\*) On request.

Simex does not accept responsibility or liability for the information provided. Technical modifications may vary without prior notice.



- PLB 200
- PLB 300
- PLB 400
- PLB 450
- PHD 600
- PLB 350
- PHD 450



Utilities



Quarries and mines



Demolition



Port and underwater works



Construction and building



Infrastructure



Tunneling



Agriculture and forestry



Recycling



Roadworks



Trenching



Mini-excavator



Excavator



Skid steer loader



Front loader



Backhoe

## MECHANICAL DEPTH ADJUSTMENT

with telescopic screw or hydraulic (*Optional*).



**THE INDEPENDENT RH-LH DEPTH** adjustment allows the slide on the opposite side of the motor to be height-adjusted independently, **resulting in perfect surfaces with side-by-side passes.**

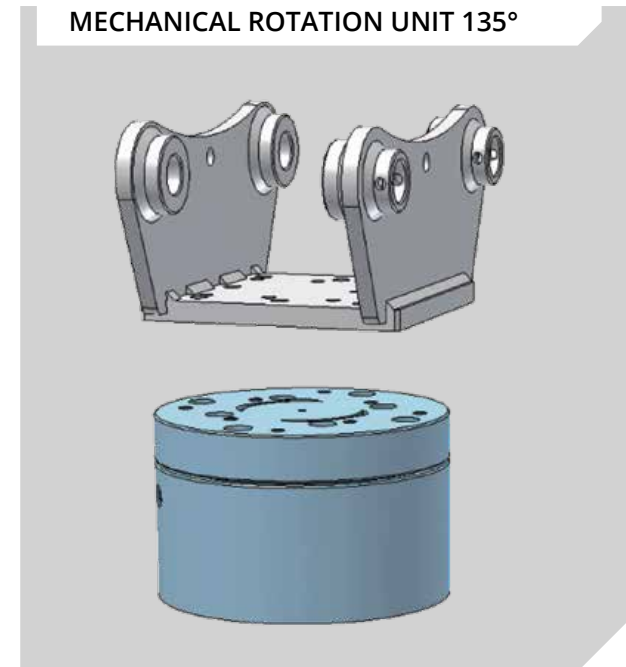
### ADJUSTABLE SLIDE



## ROTATION UNIT (*Optional*):

Planer quickly positions itself via 135° mechanical rotation with hydraulic locking (additional hydraulic lines not required) or 360° hydraulic rotation (*Optional*).

### MECHANICAL ROTATION UNIT 135°



## PERFORMER:

Informs the operator how to work with Simex attachments to maximize power and performance (*Optional*).

## CONSTANT PLANING DEPTH

Thanks to the swinging support pivoted on the same rotation axis as the cutter drum, **the attachment maintains a perfect planing surface in any condition**, regardless of ground contour or the position of the attachment with respect to the prime mover.

## SPECIAL DRUMS

available on request